

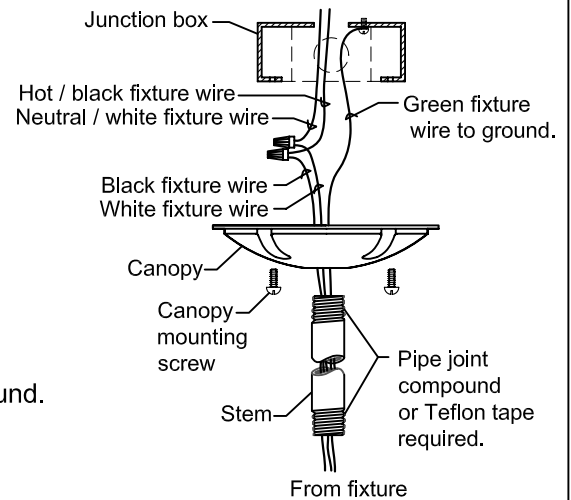


HI-LITE MFG. CO., INC

13450 Monte Vista Avenue
Chino, California 91710
Telephone: (909) 465-1999
Toll Free: (800) 465-0211

Mounting Instructions for Stem Mount Fixtures

1. Disconnect power at main electrical box before installing fixture
2. Run the wires from the fixture up through the stem and canopy, counter-twisting them to compensate for the later fixture attachment.
3. Connect black fixture wire to hot / black outlet wire, white fixture wire to neutral / white outlet wire and green fixture / bare ground wire to ground.
4. Apply pipe joint compound or Teflon piping sealant tape to threaded ends of stem.
5. Thread top of stem into canopy and fixture onto bottom of stem.

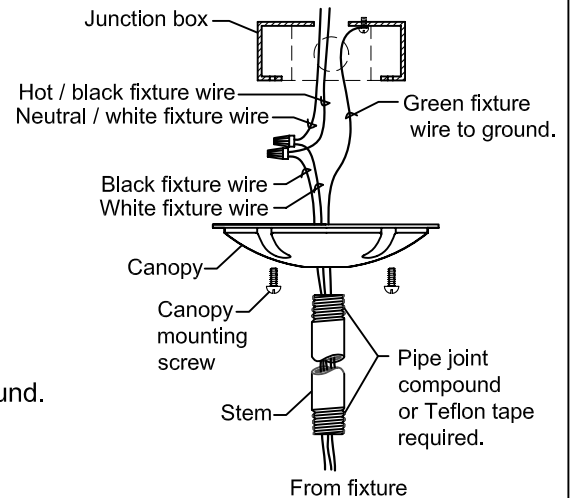


HI-LITE MFG. CO., INC

13450 Monte Vista Avenue
Chino, California 91710
Telephone: (909) 465-1999
Toll Free: (800) 465-0211

Mounting Instructions for Stem Mount Fixtures

1. Disconnect power at main electrical box before installing fixture
2. Run the wires from the fixture up through the stem and canopy, counter-twisting them to compensate for the later fixture attachment.
3. Connect black fixture wire to hot / black outlet wire, white fixture wire to neutral / white outlet wire and green fixture / bare ground wire to ground.
4. Apply pipe joint compound or Teflon piping sealant tape to threaded ends of stem.
5. Thread top of stem into canopy and fixture onto bottom of stem.



HI-LITE MFG. CO., INC

13450 Monte Vista Avenue
Chino, California 91710
Telephone: (909) 465-1999
Toll Free: (800) 465-0211

Mounting Instructions for Stem Mount Fixtures

1. Disconnect power at main electrical box before installing fixture
2. Run the wires from the fixture up through the stem and canopy, counter-twisting them to compensate for the later fixture attachment.
3. Connect black fixture wire to hot / black outlet wire, white fixture wire to neutral / white outlet wire and green fixture / bare ground wire to ground.
4. Apply pipe joint compound or Teflon piping sealant tape to threaded ends of stem.
5. Thread top of stem into canopy and fixture onto bottom of stem.

